

The Ambassadors College, Ota

S.S.S 1

SECOND TERM MID-TERM

HOLIDAY ASSIGNMENT

2024/2025 Academic Session

Name: _____

HOLIDAY ASSIGNMENT

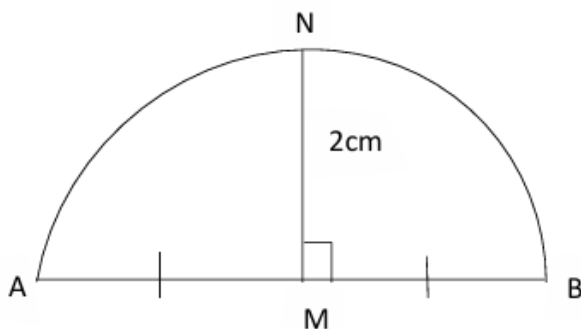
ENGLISH LANGUAGE

An infotech company is organising an essay competition for youths on the topic "Humanity and Artificial Intelligence: How can a Blend of the two make a Better World? (Teens Perspective)".

Write an essay which must be typed and submitted to essaycompetitions@outlook.com. The essay must be between 800 and 1000 words.

SS1 MATHEMATICS HOLIDAY ASSIGNMENT

- In a class of 50 students, 30 study Biology and 25 study Economics. 15 study neither Biology nor Economics.
 - How many take both subjects?
 - How many take Biology only?
 - How many take Economics only?
- \overline{AB} is a chord of a circle of radius 10cm, M is the mid – point of \overline{AB} and $\overline{NM} \perp \overline{AB}$.



If $|MN| = 2\text{cm}$, calculate

- $|AB|$
- The angle that arc ANB subtends at the centre of the circle.
- The difference in length \overline{AB} and arc ANB to the nearest mm.

PHYSICS (HONOURS)

- Compare briefly in term of molecular behaviour, temperature and heat.
 - What are thermometric liquid.
 - What is the temperature an ideal gas whose molecules have an average kinetic of 1ev

PHYSICS

- What are mechanical machine.
 - Show that efficiency of machine is $\frac{\text{mechanical advantage}}{\text{velocity ratio}} \times \frac{100}{1}$

HOLIDAY ASSIGNMENT

CIVIC EDUCATION

Explain the Seven core freedoms of Universal Declaration of Human Right (UDHR)

CHRISTIAN RELIGIOUS KNOWLEDGE

1. Suggest SEVEN ways in which a Christian can manifest a good citizenship in their community.
- 2a. What did St. Paul teach the Thessalonians on the correct attitude to work?
- b. Recommend FIVE ways of discouraging idleness or indolence among youths in Nigeria Today.

CHRISTIAN RELIGIOUS KNOWLEDGE (HONOURS)

1. Describe Peter's advice to the Christians facing persecution.
- 2a. What is Prayer?
- b. List FIVE types of prayer and explain FOUR of them.
3. How should Christians comport themselves generally.
- 4a. Mention FIVE hindrances to prayer.
- b. List FIVE evils of partiality.

GOVERNMENT

1. Define election and explain FIVE purpose for election.
2. Explain SEVEN factors that influence the delimitation of constituency.

ECONOMICS

- 1a. Highlight SEVEN difference between shares and debentures.
- b. Explain THREE types of Debentures.
2. Write short notes on the following types of preference shares:
 - i. Cumulative Preference Shares
 - ii. Participating Preference Shares
 - iii. Redeemable Preference Shares
 - iv. Non-Cumulative Preference Shares

COMMERCE

1. List FOUR differences between Public Limited Liability Company and Private Limited Liability Company.
- 2a. Explain the THREE types of partnership.
- b. State the FIVE types of partner.

HOLIDAY ASSIGNMENT

CHEMISTRY

- 1a. Define Oxidation Number
- b. Find the oxidation number of the following compound
 - i. MnO_7^-
 - ii. $K_2Cr_2O_7$
 - iii. $NaBH_4$
 - iv. H_2O_2
2. Give the IUPAC name of the following compound;
 - i. Na_2CO_3
 - ii. $(NH_4)_2CO_3$
 - iii. KNO_3
 - iv. $Ca(HCO_3)_2$
 - v. NH_4OH

ECONOMICS (HONOURS)

- 1a. Define Financial Institution
- b. List SEVEN functions of the Commercial Bank
- c. Explain FIVE way the Central Bank control the economy through the commercial banks.
- 2a. What is Distributive Trade
- b. Explain FIVE reasons for the elimination of the middlemen.
- c. Explain THREE ways of eliminating the middlemen.

COMMERCE

1. Explain the following terms in international trade.
 - a. Balance of Trade
 - b. Balance of payments
 - c. Terms of Trade
2. List and explain FIVE documents that facilitate international trade.

FINANCIAL ACCOUNTING

1. Explain the following terms;
 - a. Accrued income
 - b. Income in advance
 - c. Bad debt
 - d. Provision
- 2a. What are end of year adjustments?
- b. State FOUR reasons for end of the year adjustments.