

The Ambassadors College, Ota

GRADE 7

Second Term

Mid - Term Holiday Assignment

HOLIDAY ASSIGNMENT

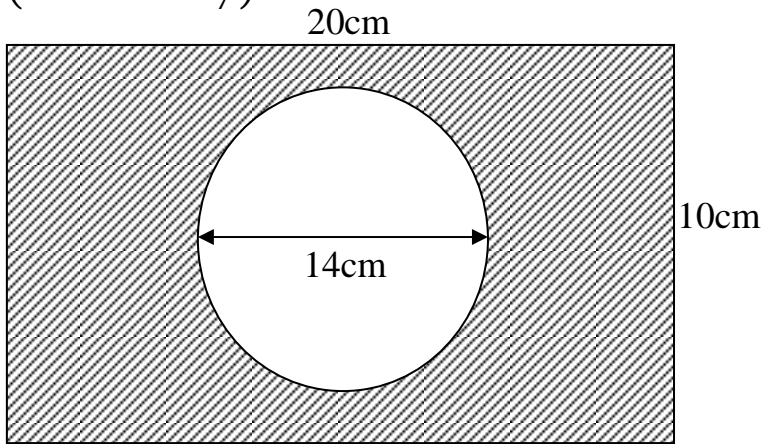
2023/2024 Academic Session

Name: _____

MATHEMATICS

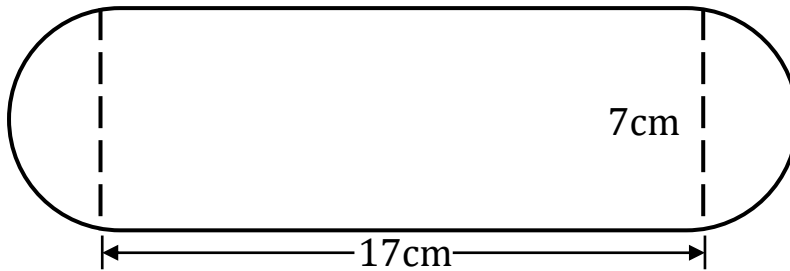
1. a. Calculate the area of the shaded portion in the diagram below

(Take $\pi = \frac{22}{7}$)



- b. Calculate the area of a parallelogram whose base is 16cm and height 4cm

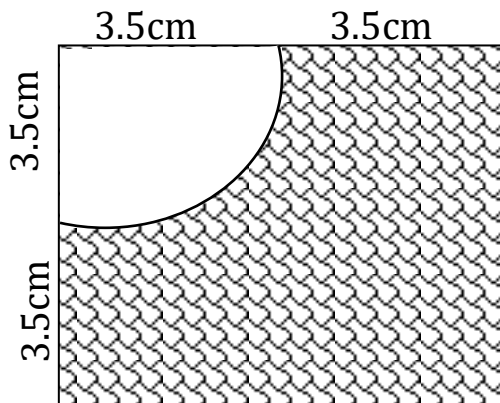
2. a. Find the perimeter and area of the shape below.



- b. A concrete beam is 20m long. Its end face is a rectangle 60cm by 40cm.

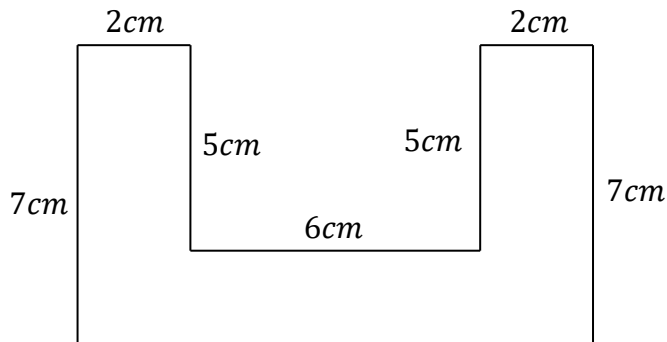
- i. Calculate the volume of the beam.
- ii. Find the mass of the beam if 1m^3 of concrete has a mass of 2.5 tonnes.

3. a. Calculate the area of the shaded part of the shape below



MID - TERM HOLIDAY ASSIGNMENT

- b. What is the total area and perimeter of the shape shown below?



4. a. Simplify $2\frac{1}{2} km - 1\frac{3}{4} m + 1\frac{1}{2} cm - 1\frac{1}{2} mm$ leaving your answer in millimetres.
- b. Find the values of
- $34^\circ 37' + 62^\circ 23'$
 - $80^\circ 11' - 56^\circ 28'$
5. a. Through how many rotations does a minute hand of a clock turn in the time from?
- (a) 10pm to 2am (b) 3am to 11am (c) 2 to 6
- b. Approximate to the degree of accuracy indicated in the following question below
- 2467.13 to 4s.f
 - 10541.76 to 2s.f
 - 0.04723 to 3s.f
 - 0.003046 to 2s.f
 - 0.0017018 to 5s.f
 - 9954 to 2s.f
6. a. Write 241055 to the nearest
- Tens
 - hundred
 - thousand
- b. Write 0.79874 to the nearest
- Tenth
 - hundredth
 - thousandth
 - whole number
- c. Round off:
- 165kg to the nearest 10kg
 - 2562m to the nearest 100m
 - 6649g to the nearest 100g

MID - TERM HOLIDAY ASSIGNMENT

- iv. 504481km to the nearest 1000km
- d. Round off the sum of the following: 24.6cm , 5,5cm, 7.8cm, 8.2cm to the nearest cm

ENGLISH LANGUAGE

Read Cambridge Lower Secondary English Workbook 7, Pages 22 – 23 and answer the questions therein.

BASIC SCIENCE

- 1. Define:
 - i. Nutrition.
 - ii. Balanced diet.
- 2. Mention the effects of deficiency of vitamins:
 - i. A ii. C iii. K iv. E
- 3. Mention four (4) importance of water.
- 4. List the main six (6) classes of food.

BASIC TECHNOLOGY

- 1. Mention three (3) drive maintenance.
- 2. List five (5) types of building according to structure.
- 3. List seven (7) building materials.

BUSINESS STUDIES

- 1. What is Journal?
- 2. List four (4) types of special journal.
- 3. Differentiate between cash and credit transaction.

NATIONAL VALUE EDUCATION

- 1. Define constitution and federal constitution.
- 2. Explain four (4) sources of constitution.
- 3. Explain unitary constitution and confederal constitution.